



330°



E14



PACKING	INNER	MASTER
/	pcs	pcs
Colour box	10	100



TECHNISCHE DATEN

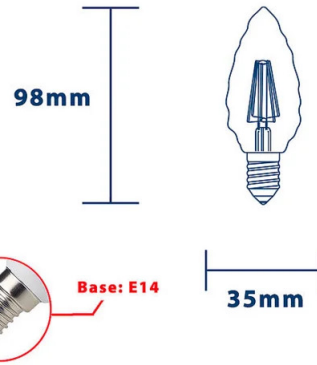
Stromversorgung	220V AC
Lichtquelle	FILAMENT LED - CRYSTAL
Leistung der Beleuchtung (W)	6
Elektrizitätsverbrauch (W)	6
Äquivalente Leistung der Glühlampe (W)	60
Startzeit	INSTANT
Lumen	806
IRC	>80
Lichtstrahl	DIFFUSE
LED-Lebensdauer (Stunden)	20000
Material	GLASS
Farbe	TRANSPARENT
Form der Glühbirne	C35
Anlage	E14
Energieklasse	E
Helle Farbe	2700K
Dimmbarkeit	NO
Code eprel	2035589
Link db eprel	http://eprel.ec.europa.eu/qr/2035589

BESCHREIBUNG

With a lifespan of 20,000 hours (well beyond the standards you will find on the market), the bulb can last over 15 years (with 3 hours of daily use). Produces 806 lumens of instant brightness, without having to wait for the bulb to warm up. Transparent diffuser that makes the light very similar to old incandescent bulbs. The "LED filament" technology gives a hyper-diffused 330° beam. With a color temperature of 2700 Kelvin, the bulb provides warm white light, creating a comfortable atmosphere in any room. Perfect for all rooms in the house such as the bedroom, living room, bathroom... and for the office. Ideal for bedside lamps, hoods, study lights, chandeliers, wall lamps.... It consumes 6 watts of energy and has an operating cost of less than 2.50 euros per year and allows significant energy savings compared to an incandescent light bulb. Equivalent to a traditional 60W light bulb. High color rendering index (CRI > 80) provides natural and vivid color. This bulb is not dimmable, not compatible with dimmers.

LOGISTISCHE DATEN

Art der Verpackung	Colour box
Gewicht des verpackten Produkts (kg)	2.500
Innere Breite (cm)	20
Innere Länge (cm)	18
Innere Höhe (cm)	20
Menge im Inneren	10
Bruttogewicht innen (kg)	0.250
ITF INNER	18003910114835
Master-Länge (cm)	40
Masterbreite (cm)	20
Meisterhöhe (cm)	22
Menge im Master	100
Master Bruttogewicht (kg)	2.500
ITF-MEISTER	28003910114832
INTRASTAT-Code	85395200
DEEE	0.24




ENERGY

VELAMP
LB306CTW-27K

A	
B	
C	
D	
E	E
F	
G	

6 kWh/1000h



2019/2015