



PACKING 	INNER  pcs	MASTER  pcs
Polybag	12	192



TECHNICAL DATA

Power supply provided	NO
IP Protection	IP68
Country of origin	CHINA
Material	PLASTIC - PC
Warranty	2 YEARS
Width (mm)	70
Depth (mm)	25
Height (mm)	25
Net weight (Kg)	0.025

DESCRIPTION

For Cable Size: Ø 5-10mm, Connector Length: 80mm. For 3-Pin: Perfect for 2 or 3-Pin Cables. IP68 waterproof, rubber washers. Moisture-proof/dust-proof. Professional waterproof design, the waterproof grade is IP68 and it has fireproof function, dustproof function, shockproof function, these functions ensure that it can be used under the sun or in rainy days. Cable connection: for cable size: H05RN-F 3G1.5mm² max.; 2 or 3 pin cable connection, very suitable for quick connection for outdoor lighting and external wiring; Max. current: 24A and 450V; Operating temperature: -30°C - +80°C. Easy installation: Without additional installation tools, a screwdriver can be quickly installed, although non-professionals can also simply install.

LOGISTICS DATA

Packing type	Polybag
Pack length (mm)	20
Pack width (mm)	100
Pack height (mm)	200
Packed product weight (kg)	0.400
Inner width (cm)	37
Inner length (cm)	17
Inner height (cm)	11
Quantity in inner	12
Gross weight inner (kg)	4.800
ITF INNER	18003910102238
Master length (cm)	33
Master width (cm)	37
Master height (cm)	44
Quantity in master	192
Master gross weight (kg)	76.800
ITF MASTER	28003910102235
INTRASTAT Code	39269097

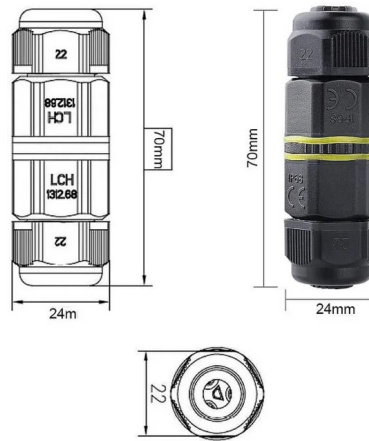
LOGISTICS DATA

ECOLOGIC SCALES 2025

N/A

Country of origin

CHINA



Kabeldurchmesser/Cable diameter:

- 1. Φ 5-10mm
- 2. Φ 9-12mm

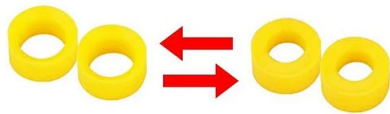


Spring Terminal Block
Easy to connectors

Further improved material
Longer life



Further improved material Longer
life-Rubber waterproof ring



Einstellbare spannprätze

