



PACKING	INNER	MASTER
/	pcs	pcs
	1	5

15.000 LUMEN
∠ 120°

150W
LED
SMD 2835

220-240V ~
50/60 Hz

IP65

120° FLOOD

ENERGY SAVING

4000K
COOL WHITE



TECHNICAL DATA

Energy class	E
Code eprel	1844426
Link db eprel	http://eprel.ec.europa.eu/qr/1844426
Warranty	2 YEARS
Width (mm)	310
Depth (mm)	310
Height (mm)	60
Net weight (Kg)	1.330

DESCRIPTION

Energy saving: Velamp LED industrial lamps use the latest generation SMD LEDs with a luminous efficiency of 100 lm/W, achieving energy efficiency E. The replacement of traditional halogen lamps (HQI) and mercury vapor lamps (HQL) can save 70-80% energy costs with the same light output.

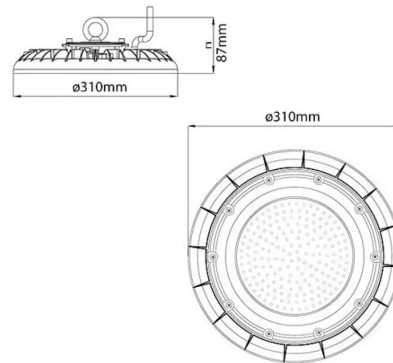
Driverless technology: The Velamp HIGHBAY lamp does not have a driver but an electronic power supply (DOB) which offers excellent resistance to voltage peaks as well as excellent reliability.

Excellent heat dissipation: Velamp HIGHBAY lamp is made of high-quality die-cast aluminum, and the whole lamp is a heat sink for more efficient and faster dissipation. Good heat dissipation can protect the electronics of the lamp and ensure stable performance and longer lifespan (54,000 hours lifespan). It can be installed anywhere: thanks to IP65 protection, the HIGHBAY Velamp lamp is suitable for warehouses, factories, garages, workshops, supermarkets, logistics centers, exhibition halls, gymnasiums, docks, ports, courtyards, farms, construction sites. ... It can be easily installed in just a few minutes: simply plug the supplied cable into the power supply!



15.000 LUMEN $\angle 120^\circ$	150W <small>LED SMD 2835</small>	 <small>220-240V ~ 50/60 Hz</small>	 IP65
	 120° FLOOD	 ENERGY SAVING	4000K <small>COOL WHITE</small>

VELAMP IS790-4000K	
A B C D E F G	
150 kWh/1000h	



ADVANCED RADIATOR, SAFE TO USE
54000 HOURS OF SERVICE LIFE

